
DUAL TONE AND POLARITY SWITCH LNB MULTIPLEX CONTROLLER

DEVICE DESCRIPTION

The ZLNB2012 dual polarisation and tone switch controller is one of a wide range of satellite receiver LNB support circuits available from Zetex. It features two completely independent channels, each providing logic outputs to control LNB polarisation selection, local oscillator selection and downfeed disable. It is intended for use in Twin, Quad and multiple feed Universal LNBs, replacing many discrete components to save both manufacturing cost and PCB size whilst improving reliability.

The two highly accurate polarisation control inputs of the ZLNB2012 have a nominal threshold of 14.25V and to meet the required demanding needs from some broadcasters they have a switching range of 14.0V to 14.5V. The threshold is temperature compensated to minimise drift. Each features a low and stable input current that enables transient protection to be achieved with the addition of only a single resistor per channel.

Multi Feed LNBs can be called to operate with one or more of their controlling receivers powered down/disconnected, with attendant cable mismatch problems. To ease design for this situation, each polarisation input of the ZLNB2012 has a second threshold set at 9V. An input voltage below this threshold indicates "receiver not present", and switches the relevant control channels high. This logic output can be used to disable the associated downfeed driver, eliminating any problems due to cable mismatch.

FEATURES

- Dual polarisation and tone switch
- Reduced Cost Solution, only 2 external components per channel
- Close tolerance (14-14.5V) and temperature compensated polarisation switch
- Multiplexer IC direct drive
- Tone and pol. Outputs are TTL, CMOS, Pin diode and IF amp capable
- Transient resistant inputs
- Includes Receiver-Off detector
- User adjustable filter centre frequency and bandwidth

Universal LNB local oscillator selection is achieved by detection of a low level AC voltage superimposed on the polarisation control voltage. To facilitate this function, the ZLNB2012 includes a separate tone detector for each channel. Control of detector bandwidth and sensitivity is provided using an external resistor and capacitor for each channel. The tone detector has been designed give excellent rejection of low frequency control signals and DiSEqC™ tone bursts.

The ZLNB2012 has been specifically designed to minimise the solution cost whilst being flexible. The ZLNB2012 only requires two external components per channel to give full user control and functionality. The ZLNB2012 also includes complimentary outputs so that it can directly drive many multiplexer IC's without the need of an inverter. Any unused outputs can be left open circuit without any effect to the remaining circuits operation. Polarisation switch and tone detector outputs can directly drive TTL and CMOS logic, pin diodes, IF-amp supply switching and multiplexer IC's.

The ZLNB2012 operates from a single supply which can be anything from 5-8V. Its quiescent current is typically only 9mA and this does not change significantly with load or logic state. It is available in the space saving QSOP16 surface mount package.

- Low frequency and DiSEqC control signals rejection
- Eliminates many close tolerance discrete components
- Wide supply operating range
- Low quiescent current

APPLICATIONS

- Twin Universal LNB's
- Quad Universal LNB's
- Multi Feed Universal LNB's
- LNB switch boxes

ZLNB2012

ABSOLUTE MAXIMUM RATINGS

Supply Voltage	-0.6V to 12V	Power Dissipation ($T_{amb} = 25^{\circ}C$)	
Supply Current	500mA	QSOP16	500mW
V_{POL1} and V_{POL2}			
Input Voltage	25V Continuous		
Operating Temperature	-40 to 80°C		
Storage Temperature	-40 to 85°C		

ELECTRICAL CHARACTERISTICS TEST CONDITIONS (Unless otherwise stated):

$T_{amb} = 25^{\circ}C, V_{CC} = 5V$

SYMBOL	PARAMETER	CONDITIONS	LIMITS			UNITS
			Min	Typ	Max	
V_{CC}	Supply Voltage		5		8	V
I_{CC}	Supply Current	HOR _{1,2} = BHOR _{1,2} = TD _{1,2} = BTD _{1,2} = 0mA $V_{POL1} = V_{POL2} =$ Don't Care $F_{IN1} = F_{IN2} =$ Don't Care		9	12	mA
I_{POL}	V_{POL1} and V_{POL2} Inputs Current	$V_{POL1} = V_{POL2} = 25V$ (Note 2)	100	200	240	μA
V_{TPOL}	Threshold Voltage	$T_{amb} = -40^{\circ}C$ to 80°C	14	14.25	14.5	V
T_{SPO}	Switching Speed				100	μS
V_{HOR_HIGH} V_{HOR_LOW}	HOR _{OUT1} and HOR _{OUT2} Outputs Voltage High Voltage Low	IHOR _{OUT1,2} = -100 μA , $V_{POL1,2} = 14.5V$ IHOR _{OUT1,2} = 5mA, $V_{POL1,2} = 14V$	$V_{CC} - 1.0$ 0	$V_{CC} 0.7$ 0.30	V_{CC} 0.5	V V
V_{BHOR_HIGH} V_{BHOR_LOW}	BHOR _{OUT1} and BHOR _{OUT2} Outputs Voltage High Voltage Low	IBHOR _{OUT1,2} = -100 μA , $V_{POL1,2} = 14.0V$ IBHOR _{OUT1,2} = 5mA, $V_{POL1,2} = 14.5V$	$V_{CC} - 1.0$ 0	$V_{CC} 0.7$ 0.30	V_{CC} 0.5	V V
V_{EN_HIGH} V_{EN_LOW}	Enable 1,2 Outputs Voltage High Voltage Low	IEnable 1,2 = -100 μA , $V_{POL1,2} = 10V$ IEnable 1,2 = 500 μA , $V_{POL1,2} = 8.0V$	$V_{CC} - 1.0$ 0	$V_{CC} 0.7$ 0.30	V_{CC} 0.5	V V
V_{OUT}	Filter Amplifier Bias Voltage ³	$I_{fin} = 0$	1.75	1.95	2.15	V
F_{inz}	Input Impedance	$V_{FIN} = 100mV$ p/p		150		Ω
AG	Amplifier Gain	$V_{FIN} = 100mV$ p/p		30		V/mA
FV_T	V Threshold ³		100	170	350	mV p/p

Note:-

- 1) The parameters Filter Amplifier V_{OUT} , I_{OUT} , Rectifier V_{OUT} and Comparator Threshold Voltage are all directly (linearly) related to V_{CC} .
- 2) Applied via 1k resistors
- 3) These parameters are linear related to V_{CC}



PROVISIONAL ISSUE A - OCTOBER 2001

ZLNB2012

ELECTRICAL CHARACTERISTICS TEST CONDITIONS (Unless otherwise stated):

$T_{amb} = 25^{\circ}\text{C}, V_{CC} = 5\text{V}$

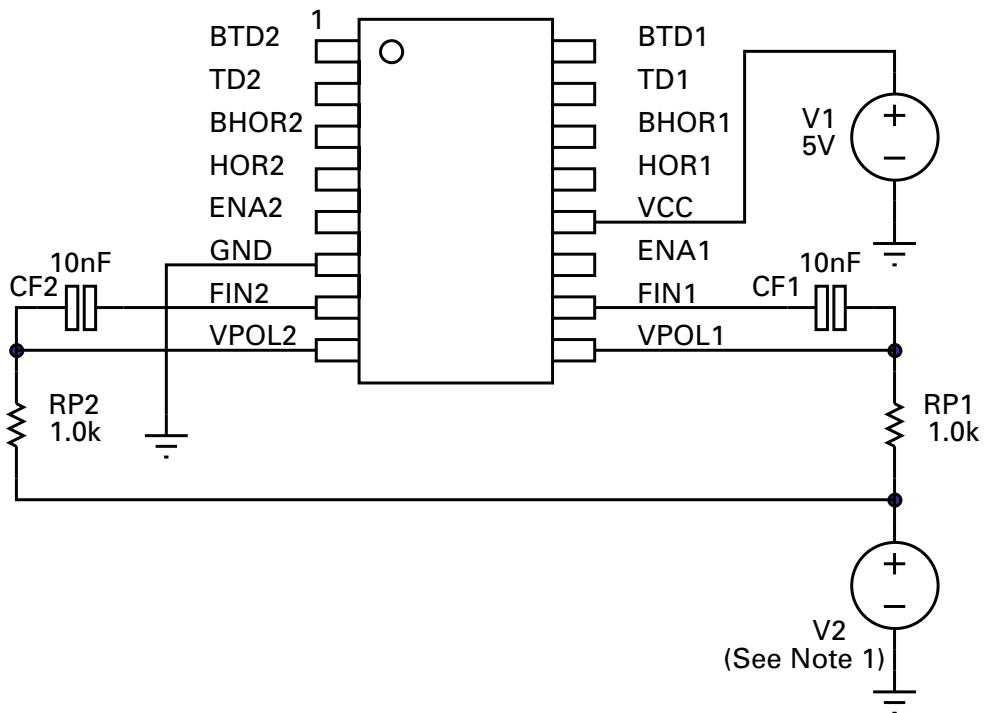
SYMBOL	PARAMETER	CONDITIONS	LIMITS			UNITS
			Min	Typ	Max	
V_{VHIGH}	TD 1,2 Outputs Voltage high	ITD 1,2=-100 μA , Test Circuit 1, Tone enabled	$V_{CC}-1.0$	$V_{CC}-0.7$	V_{CC}	V
V_{VLOW}	Voltage Low	ITD 1,2=15mA, Test Circuit 1, Tone disabled	0	0.3	0.5	V
V_{VHIGH}	BTD 1,2 Outputs Voltage high	IBTD 1,2=-100 μA , Test Circuit 1, Tone disabled	$V_{CC}-1.0$	$V_{CC}-0.7$	V_{CC}	V
V_{VLOW}	Voltage Low	IBTD 1,2=15mA, Test Circuit 1, Tone enabled	0	0.3	0.5	V

Note:-

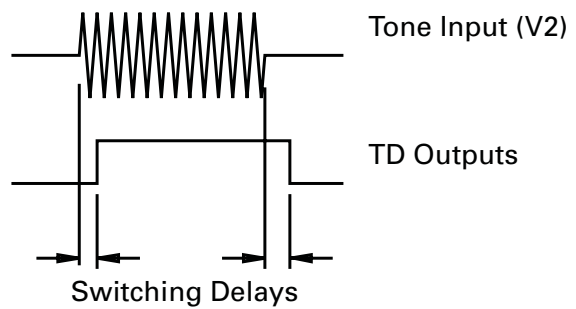
- 1) The parameters Filter Amplifier V_{OUT} , I_{OUT} , Rectifier V_{OUT} and Comparator Threshold Voltage are all directly (linearly) related to V_{CC} .
- 2) Applied via 1k resistors
- 3) These parameters are linear related to V_{CC}

ZLNB2012

TEST CIRCUIT 1 (ZLNB2012 Pinout for QSOP16 package designator - Q16)



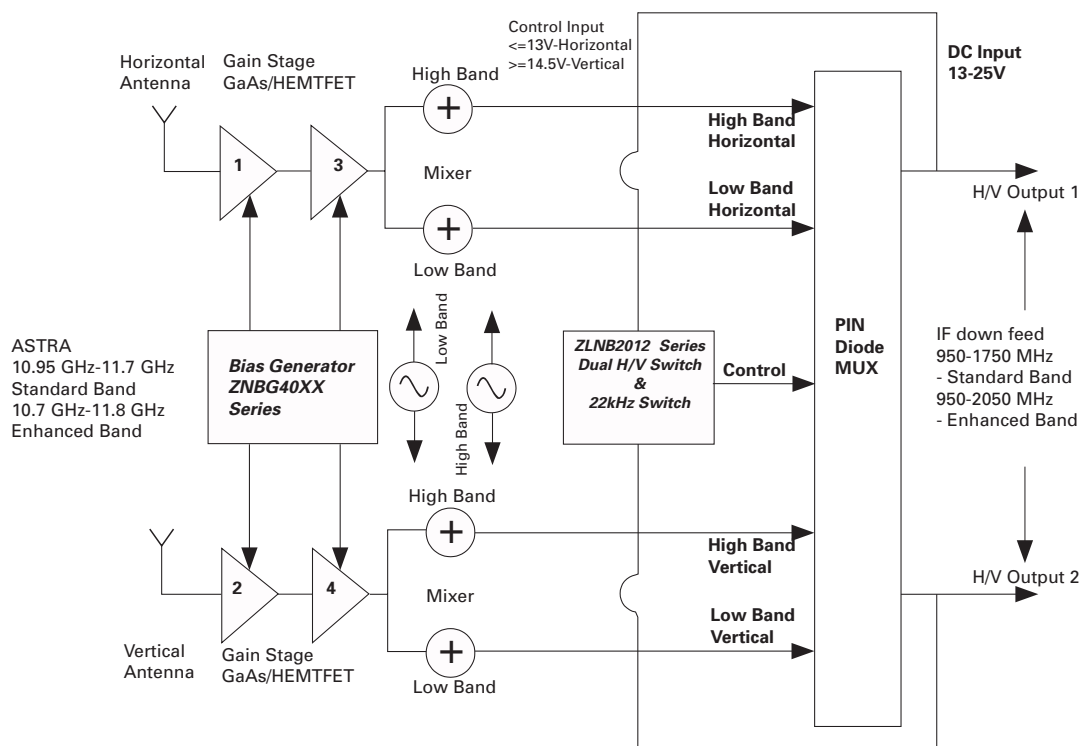
Note 1: V2 Characteristics
 Type:- AC source
 Frequency:- 22kHz
 Voltage:- 300mVp/p Enabled
 Zero Disabled



ZLNB2012

The following diagram shows a typical block diagram for a twin universal LNB design. The ZLNB2012 device provides the two polarity and two tone switches required to decode the two independent receiver feeds. The device is also able to detect the absence of a receiver connection to either port of the LNB providing all outputs to go high hence disabling of the port. This allows the avoidance of unwanted signal reflections from an unterminated down feed cable.

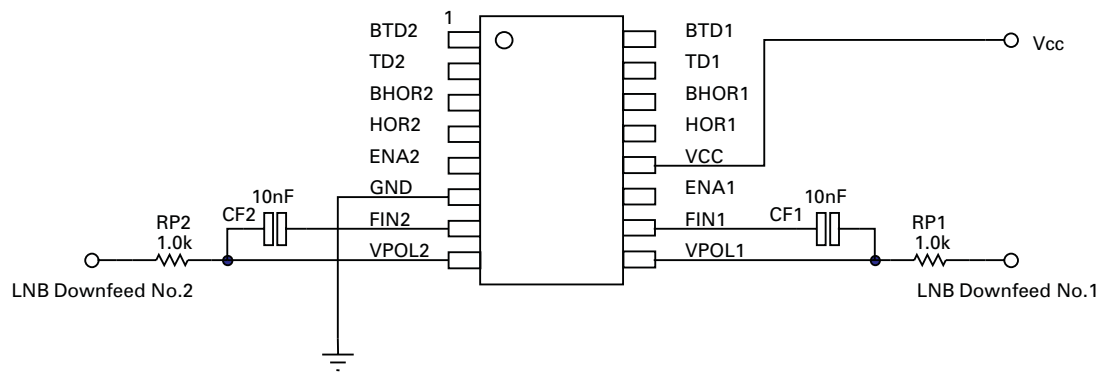
Additionally the front end bias requirements of the LNB are provided by the ZNBG4000 or ZNBG6000 offering a very efficient and cost effective solution



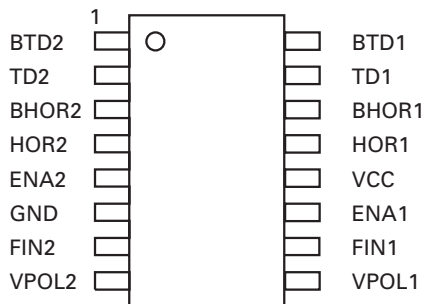
ZLNB2012

APPLICATION CIRCUIT EXAMPLES

The following circuit shows the additional components that will be used for polarisation mode and 22kHz tone detection in typical ZLNB2012 application (ZLNB2012 Pinout for QSOP16 package designator - Q16).



ZLNB2012 PINOUT FOR QSOP16 PACKAGE DESIGNATOR - Q16



ORDERING INFORMATION

Part Number	Package	Part Mark
ZLNB2012Q16	QSOP16	ZLNB2012

SAMPLE ORDERING INFORMATION

Part Number	Package	Part Mark
#ZLNB2012Q16	QSOP16	ZLNB2012

ZLNB2012

FURTHER INFORMATION

Inputs Vpol1 and Vpol2 are designed to be wired to the power inputs of an LNB via a high value (1K) resistors. Input Vpol1 controls outputs HOR1, BHOR1 and ENA1. Input Vpol2 controls outputs HOR2, BHOR2 and ENA2. With either input voltage set at or below 14V, the corresponding HOR pin will be active and the corresponding BHOR pin will be the inverse of HOR. With either input voltage at 14.5V or higher, the corresponding HOR pin will be active and the corresponding BHOR pin will be the inverse. Should the voltage applied to either Vpol input fall below 8V, the corresponding ENA (enable) pin will be low, otherwise these outputs will remain high. Any input or output may be left open circuit without any effect on the remaining circuitry.

The ZLNB2012 includes all the circuitry necessary to detect the presence of a 22kHz tone modulated on the supply input to the LNB. The main elements of the detector are an op-amp, a rectifier/smoothen and a comparator. The op-amp has a pre-set internal feedback resistor so that just a simple RC network wired to the input gives user defined gain and low frequency cut filter characteristics.

The RC network components also serve two other purposes. The resistor provides overvoltage protection for the Vpol pin and the capacitor minimises tone interference of the Vpol threshold. The upper frequency roll-off of the op-amp has been set internally at above 100kHz to allow the amplifier to be used with other common tone switch frequencies.

The rectifier/smoothen/comparator function is provided by a complex propriety circuit that allows the ZLNB2012 to reliably detect wanted tones whilst ignoring low frequency square wave switch box signals, DiSEqC™ bursts and supply switching transients common when using DiSEqC-2™ ready set-top boxes. This is all achieved without the need for any further external components. The threshold of the comparator is supply dependent, hence the gain of the preceding op-amp must be adjusted in line with supply voltage.

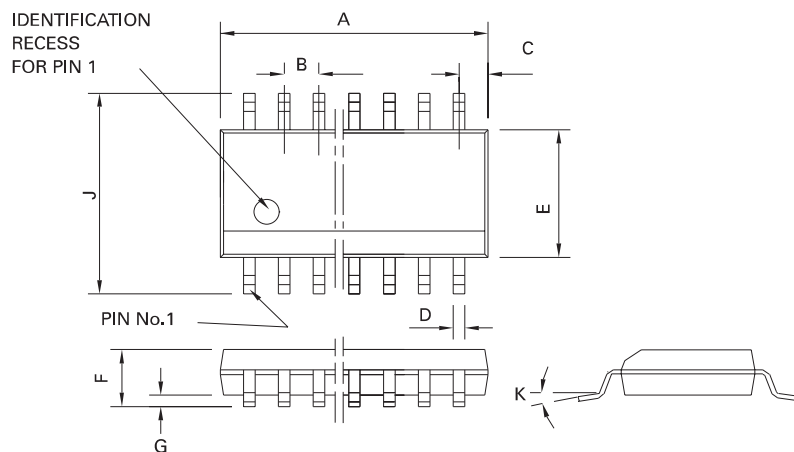
Output Truth Table

The ZLNB2012 includes two independent channels, each containing a voltage detector and tone detector. The following truth table applies to each channel:-

Tone	Vpol	TD	BTD	HOR	BHOR	ENA
Off	$\leq 14V$	Low	High	Low	High	High
Off	$\geq 14.5V$	Low	High	High	Low	High
On	$\leq 14V$	High	Low	Low	High	High
On	$\geq 14.5V$	High	Low	High	Low	High
-	$< 8V$	-	-	Low	High	Low

ZLNB2012

PACKAGE DIMENSIONS



QSOP16

DIM	Millimetres		Inches	
	MIN	MAX	MIN	MAX
A	4.80	4.98	0.189	0.196
B	0.635		0.025 NOM	
C	0.23 REF		0.009 REF	
D	0.20	0.30	0.008	0.012
E	3.81	3.99	0.15	0.157
F	1.35	1.75	0.053	0.069
G	0.10	0.25	0.004	0.01
J	5.79	6.20	0.228	0.244
K	0°	8°	0°	8°

© Zetex plc 2001

Zetex plc
Fields New Road
Chadderton
Oldham, OL9 8NP
United Kingdom
Telephone (44) 161 622 4422
Fax: (44) 161 622 4420

Zetex GmbH
Streitfeldstraße 19
D-81673 München
Germany
Telefon: (49) 89 45 49 49 0
Fax: (49) 89 45 49 49 49

Zetex Inc
700 Veterans Memorial Hwy
Hauppauge, NY11788
USA
Telephone: (631) 360 2222
Fax: (631) 360 8222

Zetex (Asia) Ltd
3701-04 Metroplaza, Tower 1
Hing Fong Road
Kwai Fong, Hong Kong
China
Telephone: (852) 26100 611
Fax: (852) 24250 494

These offices are supported by agents and distributors in major countries world-wide.

This publication is issued to provide outline information only which (unless agreed by the Company in writing) may not be used, applied or reproduced for any purpose or form part of any order or contract or be regarded as a representation relating to the products or services concerned. The Company reserves the right to alter without notice the specification, design, price or conditions of supply of any product or service.

For the latest product information, log on to www.zetex.com

PROVISIONAL ISSUE A - OCTOBER 2001